

**UniMAP**

# **Development of A Microcontroller-based Inverter for Photovoltaic Application**

by

**Sharulnizam Bin Mohd Mukhtar  
(0630910133)**

A thesis submitted

In fulfilment of the requirements for the degree of  
Master of Science (Electrical Engineering)

**School of Electrical Systems Engineering  
UNIVERSITI MALAYSIA PERLIS**

2011

# *Acknowledgements*

First and foremost I would like to express my deepest gratitude to my supervisor, Assoc. Prof. Abd. Rahman Bin Mohd Saad for his patient guidance and enthusiastic help, without which this thesis would not have come into being. I also appreciate the other members of my committee, En. Noor Hasnizam bin Hanafi and En. Said Amirul Anwar B. Ab. Hamid, for their help and time.

Furthermore, I would like to thank all UniMAP Engineering Centre staff for their support and assistance during work on this project.

Finally, and most importantly, I would like to thank my wife Hasliza, for her love, understanding, support, and sacrifice during all stages of my MSc studies. Thanks also are due to my lovely kids, Afiqah and Afiq, who bring to me the pride and happiness of being a father. I also express my gratitude to my father, Mohd Mukhtar Bin Ahmad who has been inspiring me throughout my life and career, and to my late mother, Che Haton Binti Awang for all her love and encouragement.

# Table of Contents

<b>Acknowledgements</b>	<b>i</b>
<b>Table of Contents</b>	<b>ii</b>
<b>List of Figures</b>	<b>v</b>
<b>List of Tables</b>	<b>viii</b>
<b>Abbreviations</b>	<b>ix</b>
<b>Abstrak</b>	<b>xii</b>
<b>Abstract</b>	<b>xiii</b>
<b>1 Introduction</b>	<b>1</b>
1.1 Background . . . . .	1
1.2 Thesis Objective . . . . .	2
1.3 Problem Statement . . . . .	2
1.4 Scope of Work . . . . .	3
1.5 Thesis Outline . . . . .	3
<b>2 Review of the Inverter Topologies and their Switching Techniques</b>	<b>6</b>
2.1 Introduction . . . . .	6
2.2 Overview of Inverter Topologies . . . . .	6
2.2.1 Conventional Single-stage Inverter Topologies . . . . .	9
2.2.2 Two-stage Inverter Topology . . . . .	10
2.3 Sinusoidal PWM Modulation Technique for Two-Stage Inverter . . . . .	11
2.3.1 PWM with Bipolar Voltage Switching . . . . .	12

2.3.2	PWM with Unipolar Voltage Switching . . . . .	12
2.4	Review of Past SPWM Generation . . . . .	17
2.5	Conclusion . . . . .	17
<b>3</b>	<b>Designing the Two-Stage Inverter and its Switching Strategy</b>	<b>19</b>
3.1	Introduction . . . . .	19
3.2	Inverter Circuit Topology . . . . .	19
3.3	The DC-DC Stage . . . . .	20
3.3.1	The Operation Principle . . . . .	21
3.3.2	Pulse-Width Modulation . . . . .	24
3.4	The DC-AC Stage . . . . .	26
3.4.1	The Operation Principle . . . . .	26
3.4.2	Generating the SPWM Gating Signals . . . . .	28
3.4.2.1	Approximating the Pulse Width, $\theta_{wi}$ . . . . .	32
3.4.2.2	Exact Expression for $\theta_{wi}$ . . . . .	32
3.5	Conclusion . . . . .	35
<b>4</b>	<b>Hardware Development for the Prototype Inverter</b>	<b>36</b>
4.1	Introduction . . . . .	36
4.2	The DS89c420 Microcontroller Board . . . . .	36
4.3	Design of the DC-DC Stage . . . . .	39
4.3.1	Selection of the Power Device . . . . .	40
4.3.2	The Gate Drive . . . . .	41
4.3.3	The Snubber Circuit . . . . .	42
4.3.4	PCB Layout Consideration . . . . .	43
4.4	Design of the High-Frequency Planar Transformer . . . . .	43
4.5	Design of the DC-AC Stage . . . . .	48
4.5.1	Output Filter . . . . .	50
4.6	Conclusion . . . . .	51
<b>5</b>	<b>Software Development for the Prototype Inverter</b>	<b>52</b>
5.1	Introduction . . . . .	52
5.2	Development of the Software . . . . .	52
5.3	PWM Signal Control for the DC-DC Stage . . . . .	53
5.3.1	Feedback Control . . . . .	53
5.4	SPWM Signal Control for the DC-AC Stage . . . . .	56
5.5	The Programming . . . . .	57
5.6	Conclusion . . . . .	57
<b>6</b>	<b>Result and Discussion</b>	<b>58</b>

6.1	Introduction . . . . .	58
6.2	Waveforms of the DC-DC-Stage PWM Output . . . . .	58
6.3	Waveforms of the DC-AC-Stage SPWM Output . . . . .	62
6.4	Prototype Performance Test . . . . .	63
6.4.1	The DC-DC Converter Stage . . . . .	65
6.4.2	Waveforms of the Inverter's Voltage and Current Outputs . . . . .	65
6.4.3	Total Harmonic Distortion(THD) . . . . .	67
6.4.4	Efficiency of the Prototype . . . . .	72
6.5	Conclusion . . . . .	83
<b>7</b>	<b>Conclusion</b>	<b>84</b>
7.1	Summary of the Research . . . . .	84
7.2	Research Contributions . . . . .	85
7.3	Suggestions for Further Work . . . . .	85
	<b>Bibliography</b>	<b>87</b>
	<b>A Calculated Switching Pulse</b>	<b>89</b>
	<b>B List of Publications</b>	<b>94</b>

# List of Figures

2.1	Half-bridge configuration . . . . .	7
2.2	Full-bridge configuration . . . . .	8
2.3	The output waveform of half-bridge configuration . . . . .	8
2.4	The output waveform of full-bridge configuration . . . . .	9
2.5	A conventional inverter circuit configuration . . . . .	10
2.6	PWM with bipolar voltage switching . . . . .	13
2.7	Normalized harmonics amplitude for PWM with bipolar voltage switching	13
2.8	PWM with unipolar voltage switching . . . . .	16
2.9	Normalized harmonics amplitude for PWM with unipolar voltage switching	16
3.1	Schematic of the inverter . . . . .	20
3.2	Schematic of the dc-dc stage . . . . .	21
3.3	Dc-dc stage converter operation mode (a)-(d) with current paths for one switching period . . . . .	22
3.4	Waveforms for a push pull converter. . . . .	23
3.5	Full bridge inverter and its control strategy . . . . .	26
3.6	Steady state operation of the inverter for (a) Positive half cycle (b) Negative half cycle . . . . .	27
3.7	SPWM voltage waveform across the load of the inverter . . . . .	27
3.8	Example of a bipolar PWM output waveform. . . . .	28
3.9	PWM figure illustrating the constant ratio between the width and height of a given pulse. . . . .	29
3.10	Triangular approximation. . . . .	30
3.11	Approximated pulse width, i.e., $\Delta e = 0$ . . . . .	33
3.12	Intersections between $V_{ref}$ and $V_{cont}$ . . . . .	34
4.1	Photograph of DS89c420 $\mu$ controller, dc-dc converter and dc-ac inverter circuit. . . . .	37
4.2	Block diagram of the DS89c420 . . . . .	38
4.3	The DS89c420 microcontroller board. . . . .	39
4.4	Schematic of the dc-dc stage . . . . .	40
4.5	Gate drive circuit . . . . .	41

4.6	The RC snubber-circuit configuration. . . . .	43
4.7	Symmetrical layout of the PCB . . . . .	44
4.8	Construction of the planar transformer . . . . .	44
4.9	PCB winding patterns . . . . .	45
4.10	Dimension outline for E/PLT58/15/50 planar core . . . . .	48
4.11	Full-bridge dc-ac inverter circuit. . . . .	49
4.12	LC low-pass output filter. . . . .	51
5.1	Algorithm of the program implemented on the microcontroller . . . . .	54
5.2	Algorithm of the dc-dc stage . . . . .	55
5.3	Feedback control block diagram . . . . .	55
5.4	Algorithm of the dc-ac stage . . . . .	56
6.1	PWM output waveform for PWM1 and PWM2 (a) Simulated waveform for $D = 0.32$ (b) Experiment waveform for $D = 0.32$ . . . . .	59
6.2	PWM output waveform for PWM1 and PWM2 (a) Simulated waveform for $D = 0.38$ (b) Experiment waveform for $D = 0.38$ . . . . .	60
6.3	PWM output waveform for PWM1 and PWM2 (a) Simulated waveform for $D = 0.45$ (b) Experiment waveform for $D = 0.45$ . . . . .	61
6.4	PWM waveform from the gate-driver output . . . . .	62
6.5	Simulated waveform for SPWM1 and SPWM2 for $f_{tri} = 5\text{kHz}$ and $m_a = 1.0$ . . . . .	63
6.6	Experiment waveform for SPWM1 and SPWM2 for $f_{tri} = 5\text{kHz}$ and $m_a = 1.0$ . . . . .	64
6.7	Photograph of the overall test-setup arrangement . . . . .	64
6.8	Experiment waveform for (a) MOSFET drain source voltage and (b) HF transformer output voltage . . . . .	66
6.9	Simulated waveform of MOSFET voltage and HF transformer output voltage . . . . .	67
6.10	Experiment waveform signal for (a) MOSFET voltage without snubber circuit and (b) MOSFET voltage with snubber circuit . . . . .	68
6.11	Experiment waveform signal for (a) Rectifier diode voltage without snubber circuit and (b) Rectifier diode voltage with snubber circuit . . . . .	69
6.12	Simulated waveforms for output voltage and current, pre-filter, with 500W load. . . . .	70
6.13	Experiment waveform signal for (a) Output voltage, pre-filter, with $200\Omega$ load and (b) Output current, pre-filter, with $200\Omega$ load . . . . .	71
6.14	Simulated waveforms for output voltage and current, post-filter, with 500W load. . . . .	72
6.15	Experiment waveforms for output voltage and current, post-filter, with 100W load. . . . .	73

6.16	Experiment waveforms for output voltage and current, post-filter, with 200W load. . . . .	73
6.17	Experiment waveforms for output voltage and current, post-filter, with 300W load. . . . .	74
6.18	Experiment waveforms for output voltage and current, post-filter, with 400W load. . . . .	74
6.19	Experiment waveforms for output voltage and current, post-filter, with 500W load. . . . .	75
6.20	Simulated harmonic spectrum for output voltage, pre-filtering for $f_{tri} = 5\text{kHz}$ and $m_a = 1.0$ . . . . .	75
6.21	Experiment harmonic spectrum for output voltage, pre-filtering for $f_{tri} = 5\text{kHz}$ and $m_a = 1.0$ . . . . .	76
6.22	Experiment harmonic spectrum, post-filtering for (a) Output voltage with 100W load and (b) Output current with 100W load . . . . .	77
6.23	Experiment harmonic spectrum, post-filtering for (a) Output voltage with 200W load and (b) Output current with 200W load . . . . .	78
6.24	Experiment harmonic spectrum, post-filtering for (a) Output voltage with 300W load and (b) Output current with 300W load . . . . .	79
6.25	Experiment harmonic spectrum, post-filtering for (a) Output voltage with 400W load and (b) Output current with 400W load . . . . .	80
6.26	Experiment harmonic spectrum, post-filtering for (a) Output voltage with 500W load and (b) Output current with 500W load . . . . .	81
6.27	Output power vs THD . . . . .	82
6.28	Measuring the efficiency of the circuit. . . . .	82
6.29	Inverter efficiency. . . . .	83



# List of Tables

2.1	Generalized harmonics of $V_{A0}$ . . . . .	14
3.1	High Frequency Transformer Design Parameters . . . . .	25
4.1	Ratings and specifications of MOSFET type IRFZ40 . . . . .	41
4.2	Ratings and specifications of MOSFET type IRFPS40N60 . . . . .	50
A.1	The switching period for $f_{ref} = 5kHz$ . . . . .	89

© This item is protected by original copyright

# Abbreviations

<b>AC</b>	Alternating Current
<b>ADC</b>	Analog to Digital Converter
<b>BJT</b>	Bipolar Junction Transistor
<b>CSI</b>	Current Source Inverter
<b>DAC</b>	Digital to Analog Converter
<b>DC</b>	Direct Current
<b>DMC</b>	Dynamic Matrix Control
<b>EMI</b>	ElectroMagnetic Interference
<b>EPROM</b>	Erasable Programmable Read OnlyMemory
<b>FPGA</b>	Field Programmable Gate Array
<b>GTO</b>	Gate Turn Off thyristor
<b>HF</b>	High Frequency
<b>IGBT</b>	Insulated Gate Bipolar Transistor
<b>MBC</b>	Multilevel Boost Converter
<b>MCT</b>	MOS Controlled Thyristor
<b>MIPs</b>	Million Instruction Per Second
<b>MOSFET</b>	Metal Oxide Semiconductor Field Effect Transistor
<b>MSPWM</b>	Modified Sinusoidal Pulse Width Modulation
<b>PCB</b>	Printed Circuit Board
<b>PWM</b>	Pulse Width Modulation
<b>RAM</b>	Random Access Memory

---

<b>RC</b>	<b>Resistor Capacitor</b>
<b>RCD</b>	<b>Resistor Capacitor Diode</b>
<b>RMS</b>	<b>Root Mean Square</b>
<b>SHEPWM</b>	<b>Selective Harmonic Elimination Pulse Width Modulation</b>
<b>SIT</b>	<b>Static Induction Transistor</b>
<b>SPWM</b>	<b>Sinusoidal Pulse Width Modulation</b>
<b>SVPWM</b>	<b>Space Vector Pulse Width Modulation</b>
<b>THD</b>	<b>Total Harmonic Distortion</b>
<b>UART</b>	<b>Universal Asynchronous Receiver Transmitter</b>
<b>UPS</b>	<b>Uninterruptible Power Supply</b>
<b>VSI</b>	<b>Voltage Source Inverter</b>

© This item is protected by original copyright

© This item is protected by original copyright

*Dedicated to my mom*

# Pembangunan Penyongsang Berasaskan Mikropengawal untuk Aplikasi Fotovoltan

## Abstrak

Dibentangkan dalam tesis ini, pembangunan sebuah penyongsang berasaskan mikropengawal untuk sistem fotovoltan. Sebuah mikropengawal 8-bit tunggal telah digunakan untuk menghasilkan dedenyut pensuisan untuk kedua-dua tahap di dalam penyongsang tersebut, yang merupakan penukar dc-dc dan penyongsang dc-ac. Suatu algoritma yang sederhana, berkesan, dan sesuai dilaksanakan dalam satu mikropengawal 8051 telah dibangunkan, mengawal tahap kuasa penyongsang itu. Strategi pensuisan untuk PWM dan SPWM diperincikan, manakala lebar dedenyut pensuisan untuk PWM dan SPWM ditentukan lalu dibentangkan. Sebuah penyongsang berkapasiti 500W telah dibina, menguji dedenyut pensuisan yang dihasilkan mikropengawal. Alatubah berfrekuensi tinggi jenis satah telah digunakan untuk menaikkan voltan masukan ke tahap yang diperlukan penyongsang, juga bertujuan mengasingkan, dan menangani kerumitan menghasilkan alatubah konvensional buatan tangan. Eksperimen ini dijalankan didalam persekitaran makmal dimana voltan masukan penyongsang ialah daripada bekalan kuasa DC dan beban penyongsang ialah rintangan tulin. Analisis prestasi prototaip mendapati hasil yang serupa dengan pengiraan. Prototaip penyongsang menunjukkan prestasi yang baik, dapat menghasilkan voltan keluaran yang stabil pada 240V 50Hz, dapat menangani beban sehingga 500W, dan THD yang rendah.

# *Development of A Microcontroller-based Inverter for Photovoltaic Application*

## *Abstract*

*Presented in this thesis is the development of a microcontroller-based inverter for photovoltaic systems. A single 8-bit microcontroller generated switching pulses for both stages of the inverter's dc-dc converter and dc-ac inverter. A simple, effective algorithm suitable for implementation in a single 8051 microcontroller was developed, for control of the inverter's power stage. The thesis explained details on the PWM and the SPWM switching strategies including calculation to presents their switching pulse widths. An inverter of 500W capacity was built to test the switching pulse generated by the microcontroller. A high frequency (HF) planar transformer raised input voltage to the inverter's required level and provided isolation and solving difficulties in producing a handmade conventional HF transformer. The experiment were conducted in laboratory environment, where input voltage was taken from DC power supply and the inverter load was purely resistive. The prototype's performance analysis results were found to be similar to those calculated. The prototype inverter performed well that able to produce a stable 240V output voltage at 50Hz, able to handle loads up to 500W, and had a low THD.*

# Chapter 1

## Introduction

### 1.1 Background

Growing demand for energy has led to depletion of fossil fuels and increase in their prices, creating a need to develop other energy sources. Popular options for energy sources are bio-fuel, fuel cell, hydropower, wind, and solar cell (Tromly, 2006). Among them, photovoltaic-generated solar energy offers the best return on investment and sustainability, as it is inexhaustible and environment friendly.

© A main limit of photovoltaic electricity is its low voltage, which must be increased to suitable levels by a converter before being sent to a DC-AC inverter.

Inverter is power converter's most widespread use, converting to AC voltage suitable for home appliances and a DC power supply is usually generated by a renewable energy source.

Sinusoidal pulse width modulation (SPWM) switching technique has become the most popular switching technique for many years which effectively used for the inverter.

SPWM signal generation traditionally uses pure analog component. The generation is via comparison between triangular carrier-signal waveform and sinusoidal signal waveforms. Rapid development in computing technology has made digital implementation of SPWM signal generation becomes more practical. Digital control is advantages over analog control as its design is more flexible.

The method proposed for this research is the replacement of conventional analog controls with an 8-bit microcontroller through which the control algorithm can be more flexibly modified without any changes to the hardware. It reduces the number of components used, so the circuit is more compact and more cost-effective.

## **1.2 Thesis Objective**

This research aims mainly to design and develop a two-stage inverter controlled by the switching signals produced by an 8-bit microcontroller. Its main objectives are:

1. To design and develop a single-phase bridge inverter with gate driver.
2. To design and develop a PWM based microcontroller system that used to control the operation of the inverter.

## **1.3 Problem Statement**

An inverter's output waveforms should be sinusoidal. Practically, though, it is not, and contains harmonics. This research seeks to limit harmonic content to the 5% range.



Drawback in the line-frequency transformer's weight and size will be overcome by use of a high-frequency (HF) planar transformer.

To meet requirements, a simple effective algorithm suitable for implementation in a single 8-bit microcontroller was developed, to control the inverter's first and second stages.

## **1.4 Scope of Work**

Up first was the inverter's design methodology, discovering circuit characteristics and investigating strategies and control methods that, based on theory and literature reviews, have potential to improve the inverter's performance. Up next was simulation of the circuit, done on PESIM software.

Calculations and simulation based the switching pulses' design and development. Simulation and calculation data were then compared to verify the circuit's effectiveness. Laboratory experiments validated the circuit. Switching techniques were then recommended.

## **1.5 Thesis Outline**

The thesis contains seven chapters. The first introduces it generally, including defining the problem, stating the problem, and stating objectives.

In Chapter 2, a brief introduction over-viewing power-inverter circuit topologies, and switching and modulation strategies. Inverter topologies such as half-bridge and full-bridge were described along with their advantages and disadvantages. Suitability of an inverter topology depends on its application and on its dc-source characteristics. Inverter with push-pull topology as front-end dc-dc converter, full-bridge inverter as back-end dc-ac inverter, was found the most appropriate, as among others it needed the fewest components.

Chapter 3's discussion was divided into two main sections, one for the dc-dc converter stage, and another for the dc-ac inverter stage, both including their operating principles. PWM and SPWM switching strategies were detailed, and their switching pulse widths calculated and presented.

Chapter 4 described the prototype inverter's hardware development. A microcontroller was developed, and served as the prototype's main control circuit. Hardware control circuit was thus reduced. Use of planar transformer in this project solved the problem of difficult production of handmade conventional HF transformer. Flux imbalance problem was solved via use of the planar transformer.

Chapter 5 explained the software development. Switching pulses for PWM1, PWM2, SPWM1, and SPWM2 were generated by a single DS89c420 microcontroller board. Use of the microcontroller eased modification of the amplitude modulation ratio and the duty cycle, via software firmware updates.

Chapter 6 set out the results for simulations and experiments. Performance analysis of the prototype found the results to be similar to those calculated. The inverter prototype performed well and was able to produce a stable 240V 50Hz output voltage, could handle loads up to 500W, and had low THD.

The conclusion has been made in Chapter 7 where they discussed the summary of the study with research contributions. Suggestions for Further Work will also be discussed with the proposed use of the load RL and by making both stages on the inverter work in the closed-loop system.

© This item is protected by original copyright

## **Chapter 2**

# **Review of the Inverter Topologies and their Switching Techniques**

### **2.1 Introduction**

This chapter describes topologies and switching strategies, including PWM switching technique for single-phase inverters and types of PWM switching strategies in inverter circuits.

### **2.2 Overview of Inverter Topologies**

Inverters can be broadly divided into two types: single-phase, and three-phase. Inverters with constant input voltage are called voltage-source inverter (VSI), and inverters with constant input current are called current source inverter (CSI) (Rashid, 2004). All the inverters can be operated by controlled turn-on and turn-off semiconductor devices such as BJT, MOSFET, IGBT, MCT, SIT, and GTO.

There are two common inverter topologies used in single-phase or three-phase ac systems. Figure 2.1 shows one, the half-bridge topology, which consists of two semiconductor switches S1 and S2 and whose logic-circuit design should be such that S1 and S2 are not turned on simultaneously; when only S1 is ON, load voltage is half the input-voltage amplitude  $V_{dc}/2$ , when only S2 is ON,  $-V_{dc}/2$  appears across load. This inverter needs a center-tapped DC source, or it can be simplified by use of well-matched series capacitors providing the center tap. Another topology is the full-bridge inverter, comprising four semiconductor switches. Figure 2.2 shows it with its two inverter legs.

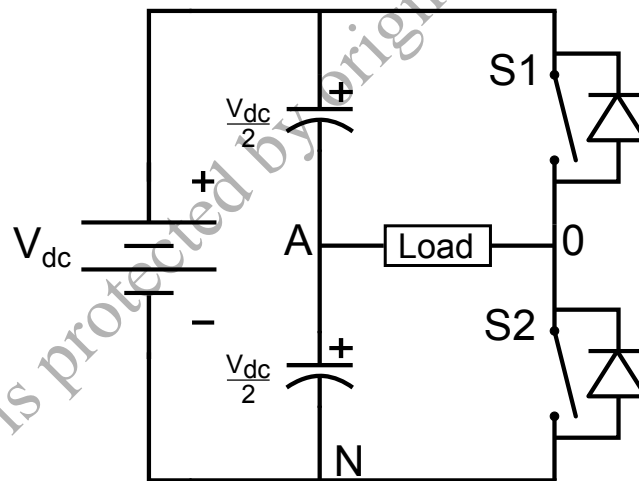


Figure 2.1: Half-bridge configuration

For each leg and to avoid shoot-through, the top and the bottom switches cannot be turned on simultaneously. When switches S1 and S2 are turned on simultaneously, input voltage appears across load. If switches S3 and S4 are turned on simultaneously, voltage across load reverses. Figures 2.3 and 2.4 respectively show output voltage waveforms for half-bridge and full-bridge single-phase inverters.

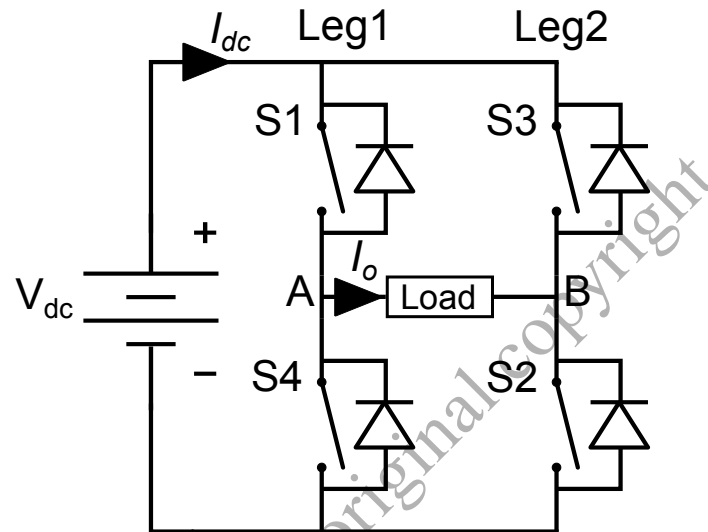


Figure 2.2: Full-bridge configuration

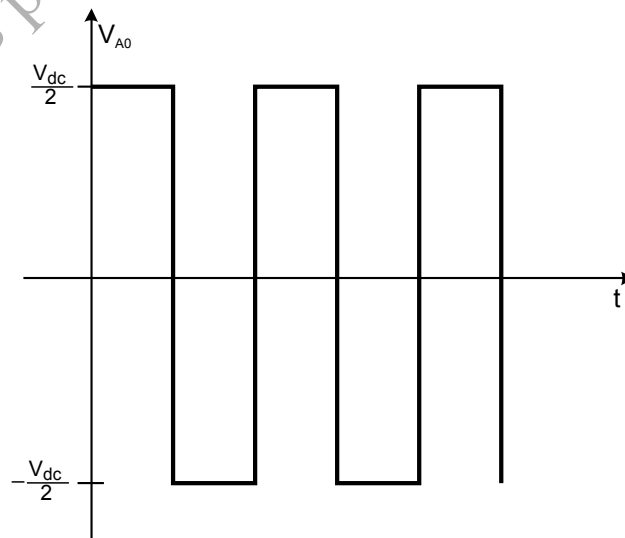


Figure 2.3: The output waveform of half-bridge configuration

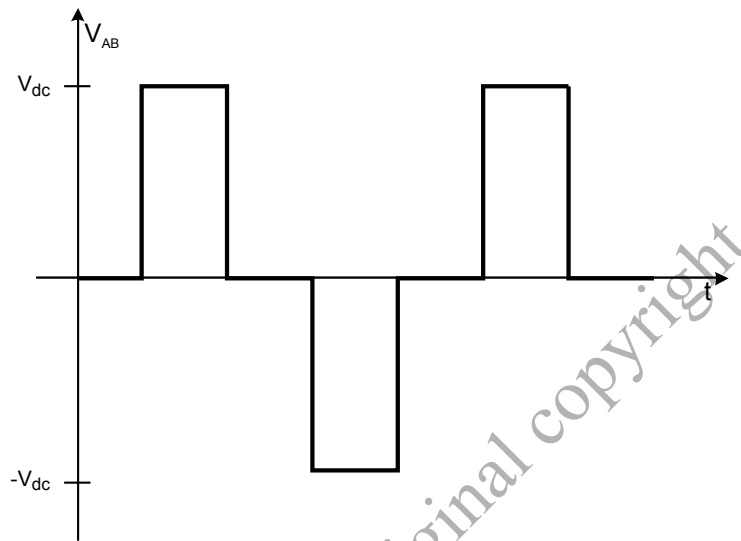


Figure 2.4: The output waveform of full-bridge configuration

### 2.2.1 Conventional Single-stage Inverter Topologies

Figure 2.5 shows a simple conventional inverter that has found wide use in dc-ac applications such as uninterruptible power supply (UPS) and variable-speed ac motor speed drives (Ismail et al., 2006). Its circuit topology is simple, its performance is good, and it is highly reliable. The circuit consists of power switches, line transformer, and low-pass filter. Step-up line transformer boosts the inverter's output voltage. Line transformer, however, has drawbacks of weight and size (Xue et al., 2004).

Recent years have seen research being devoted to either avoiding use of the transformer or replacing it by a high-frequency (HF) transformer. Increased operating frequency reduces transformer size. With a high-frequency operation, the desired output waveform can be obtained via use of output filter, whose size is greatly reduced. As regards cost and efficiency, various topologies have been proposed (Xue et al., 2004), for power conversions that use high-frequency switching technologies.

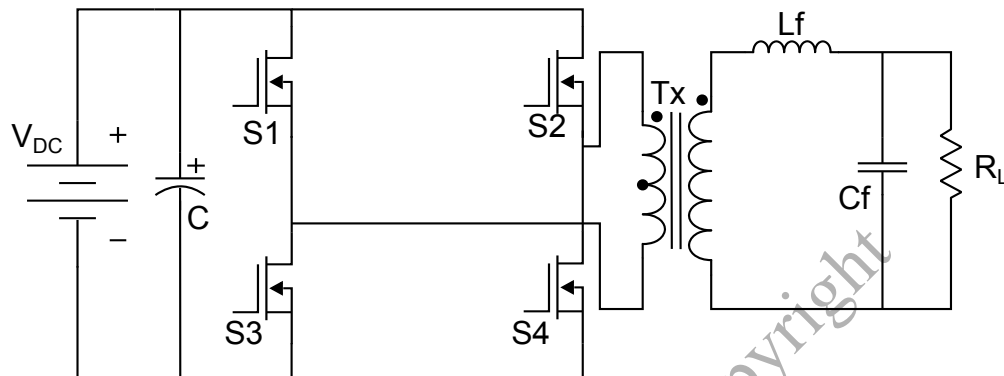


Figure 2.5: A conventional inverter circuit configuration

### 2.2.2 Two-stage Inverter Topology

The first stage is known also as a front-end converter, a dc-dc converter. It boosts to higher voltage levels, the dc voltage from a low-dc source such as photovoltaic, fuel cell, and battery, via use of HF transformer. Generally, a dc-dc converter either has, or does not have, galvanic isolation between incoming supply circuit and output circuit.

Various dc-dc-converter topologies have been proposed by researchers. Xue et al. (2004) introduced a dc-dc multilevel boost converter (MBC), which is a PWM-based dc-dc converter that uses multilevel-converter principle: each device blocks only one voltage level, achieving high voltage via low-voltage devices. Changchien et al. (2010) proposed a converter that uses a multi-winding coupled inductor and a voltage doubler to achieve high stepped-up voltage gain.

Park et al. (2007) discussed step-up dc-dc converter with resonant voltage doubler which combines an active-clamp circuit and a resonant voltage doubler across a power transformer. Kim and Kwon (2009) discussed high step-up resonant push-pull converter.