

**Inventors**  
 AYSYAH PEBRIANI BINTI DISMAN,  
 RUTHRESWARI A/P SARAVANAN  
**Supervisor**  
 AMARUL BIN TALIP  
**Contact Details**  
 DIPLOMA PROGRAMME COORDINATION UNIT,  
 LEVEL 1, BLOCK A,  
 KOMPLEK PENGAJIAN SEBERANG RAMAI  
 02000, KUALA PERLIS, PERLIS  
 amarul@unimap.edu.my



# Re-iGATE

## Summary of Invention

Re-iGate is the basic of digital communication system linking the information of position reports, weather reports, messages between users and other information for radio transceiver. The Re-iGate function is to selectively allow packets heard on RF (Radio Frequency) to APRS-IS and to pass all message packets destined for local station to RF. Basic usage requires the transceiver, Terminal Node Controller (TNC), Internet access and a connection to the internet and GPS where the information is sent to a receiver that will update data to server by using Re-iGate. Any contact and all data information can be found and viewed on a world map. It also can be used as a media send short messages to other users or view any activity information. Re-iGate can use as the work of search and rescue.

## Problem Statement

- It is hard to select the suitable equipment and do configuration of device that available.
- Lack of Automatic Positioning Reporting System (APRS) where is the data that transmitted from some operator cannot be display in APRS database server.

## Advantages

- Easy to install.
- Easy to operate.
- Economical & Safe

## Novelty of Invention

This device designed to simplify the operator UHF/VHF radio users provide Re-iGate it can easily be installed at any place.

## Percentage APRS User in Malaysia:

Only 5.13% from 9949 Apparatus Amateur Radio Assignment Holder use this APRS. Until today there no record has found of using APRS work of search and rescue.

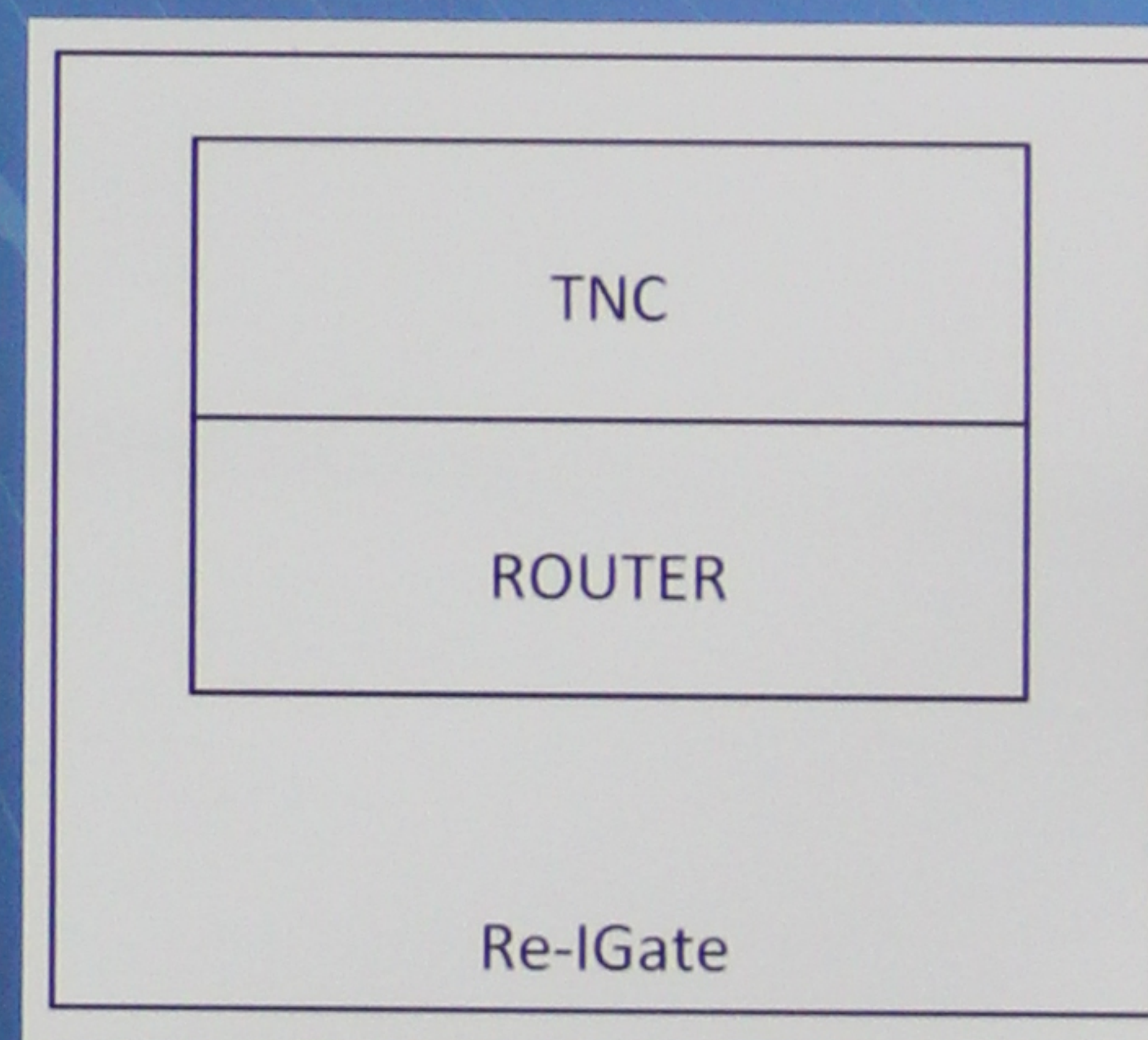


Figure 1. Blok Diagram For Re-iGate Connection

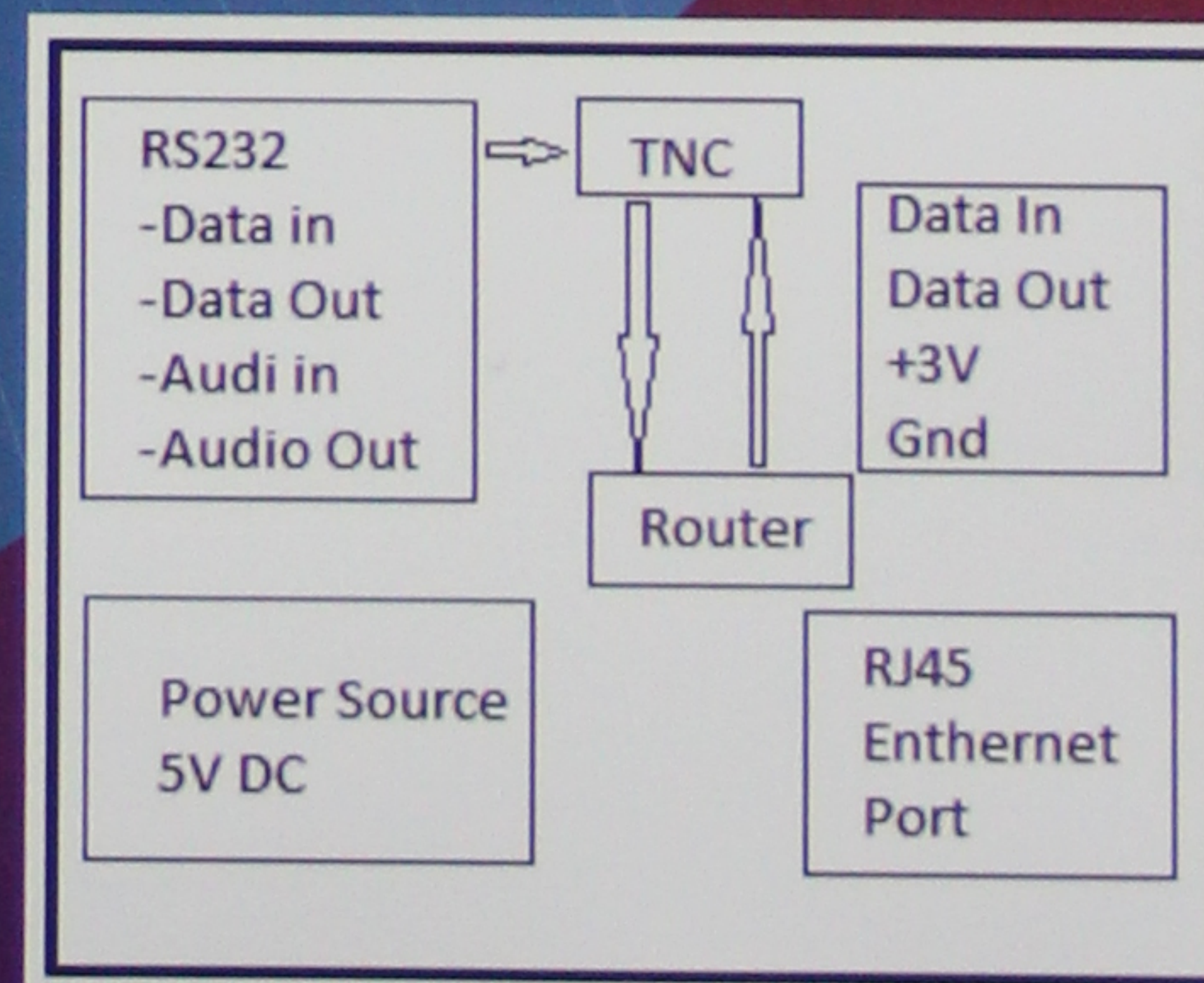


Figure 2. Blok Diagram For Re-iGate